

Product Specifications

DC Link Chokes

Approvals:	Component Recognition: Per UL 508, cUL per CSA C22.2 14-M91
Maximum Voltage:	1000 Volts DC
Ampere Ratings:	1 amp thru 1000 amps standard
Maximum Altitude:	1000 meters
Temperature Rise:	50 C (at 25C ambient)
Maximum Ambient:	60 C
Insulation System:	UL Class B (130 C) for 1 amp thru 50 amps UL Class H (180 C) for 62 amps and higher
Ripple Current:	10% p-p at 360 hz maximum
Selection Basis:	DC amps, RMS amps
Thermal Current:	DC amps x 1.0353

Technical Data DC Link Chokes

Cat. No.	DC Amps	mH	Watts	Lug Size	Torque
1RB001	1	35	3	22-14	4.5
1RB002	1	60	4	22-14	4.5
1RB003	1	80	4	22-14	4.5
2RB001	2	10	3	22-14	4.5
2RB002	2	15	44	22-14	4.5
2RB003	2	20	4	22-14	4.5
2RB004	2	50	5	22-14	4.5
4RB001	4	5	4	22-14	4.5
4RB002	4	12	5	22-14	4.5
4RB003	4	15	6	22-14	4.5
4RB004	4	25	9	18-4	20
7RB001	7	11	11	18-4	20
9RB001	9	2	5	22-14	4.5
9RB002	9	3.22	7	22-14	4.5
9RB003	9	7.5	11	18-4	20
9RB004	9	11.5	16	18-4	20
12RB001	12	1	5	22-14	4.5
12RB002	12	2.1	7	18-4	20
12RB003	12	4	11	18-4	20
12RB004	12	6	14	18-4	20
18RB001	18	0.65	5	18-4	20
18RB002	18	1.375	9	18-4	20
18RB003	18	2.75	16	18-4	20
18RB004	18	3.75	17	18-4	20
18RB005	25	6	20	18-4	20
25RB001	25	0.45	7	18-4	20
25RB002	25	1	12	18-4	20
25RB003	25	1.275	13	18-4	20
25RB004	25	1.75	13	18-4	20
25RB005	32	4	16	18-4	20
32RB001	32	0.85	11	18-4	20
32RB002	32	1.62	14	18-4	20
32RB003	40	2.68	21	18-4	20
40RB001	40	0.5	14	18-4	20
40RB002	40	0.75	15	18-4	20
40RB003	40	1	17	18-4	20
40RB004	40	2	29	18-4	20
50RB001	50	0.625	18	18-4	20
50RB002	50	0.97	19	18-4	20
50RB003	50	1.35	21	18-4	20
50RB004	50	2	30	6-0	6-4(45) & 2-0 (50)
62RB001	62	0.32	17	6-0	6-4(45) & 2-0 (50)
62RB002	62	0.61	20	6-0	6-4(45) & 2-0 (50)
62RB003	62	0.67			6-4(45) & 2-0 (50)
62RB004	62	1.2	32	6-0	6-4(45) & 2-0 (50)
62RB005	62	1.5	40	6-0	6-4(45) & 2-0 (50)

Technical Data DC Link Chokes

Cat. No.	DC Amps	mH	Watts	Lug Size	Torque (in-lbs)
80RB001	80	.31	20	6-0	6-4(45) & 2-0(50)
80RB002	80	0.4	25	6-0	6-4(45) & 2-0(50)
80RB003	80	0.5	22	6-0	6-4(45) & 2-0(50)
80RB004	80	0.75	35	6-0	6-4(45) & 2-0(50)
80RB005	80	1.25		6-0	6-4(45) & 2-0(50)
92RB001	92	0.2	19	6-0	6-4(45) & 2-0(50)
92RB002	92	0.6	34	6-0	6-4(45) & 2-0(50)
92RB003	92	1	48	6-0	6-4(45) & 2-0(50)
110RB001	110	0.25	35	6-0	6-4(45) & 2-0(50)
110RB002	110	0.3	38	6-0	6-4(45) & 2-0(50)
110RB003	110	0.45	45	6-0	6-4(45) & 2-0(50)
125RB001	125	0.11	18	6-0	6-4(45) & 2-0(50)
125RB002	125	0.22	27	6-0	6-4(45) & 2-0(50)
125RB003	125	0.5	48	6-0	6-4(45) & 2-0(50)
125RB004	125	0.85	96	6-0	6-4(45) & 2-0(50)
150RB001	150	0.15	44	2-0000	150
150RB002	150	0.22	36	2-0000	150
150RB003	150	0.32		2-0000	150
150RB004	150	0.65		2-0000	150
200RB001	200	0.12	42	2-0000	150
200RB002	200	0.21	50	2-0000	150
200RB003	200	0.4	75	2-0000	150
200RB004	200	0.5		2-0000	150
240RB001	240	0.09	38	00-500mcm	00=180, 000-0000=250, 250- 350mcm=325, 500mcm-375
240RB002	240	0.25	102	00-500mcm	
240RB003	240	0.35	93	00-500mcm	
300RB001	300	0.08	46	00-500mcm	
300RB002	300	0.135	63	00-500mcm	
300RB003	300	0.32	127	00-500mcm	
450RB001	450	0.055	63	00-500mcm	
450RB002	450	0.11	94	00-500mcm	
450RB003	450	0.14	114	00-500mcm	
450RB004	450	0.25	182	00-500mcm	
500RB001	500	0.043	73		
500RB002	500	0.09	111		
500RB003	500	0.14	116		
500RB004	500	0.19	171		
600RB001	600	0.04	88		
600RB002	600	0.11	158		
600RB003	600	0.18	181		
700RB001	700	0.044	118		
700RB002	700	0.06	133		
700RB003	700	0.15	220		
850RB001	850	0.036	128		
850RB002	850	0.065	166		
850RB003	850	0.11	211		
1000RB001	1000	0.02	118		
1000RB002	1000	0.042	156		
1000RB003	1000	0.1	243		

Dimensions Dc Link Chokes

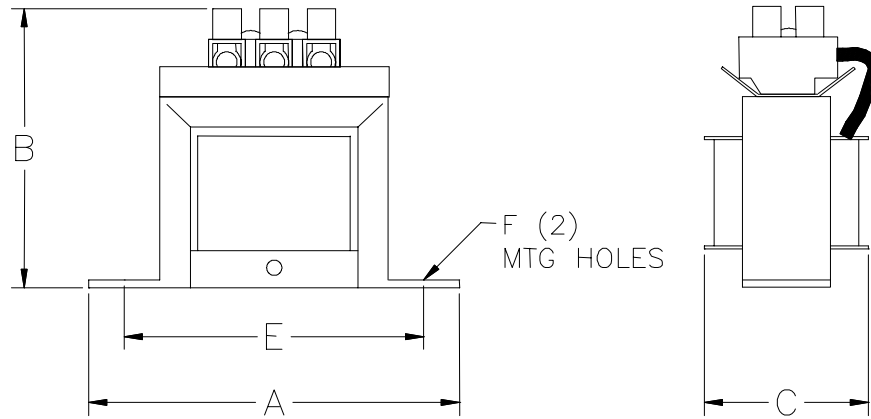


FIGURE 1

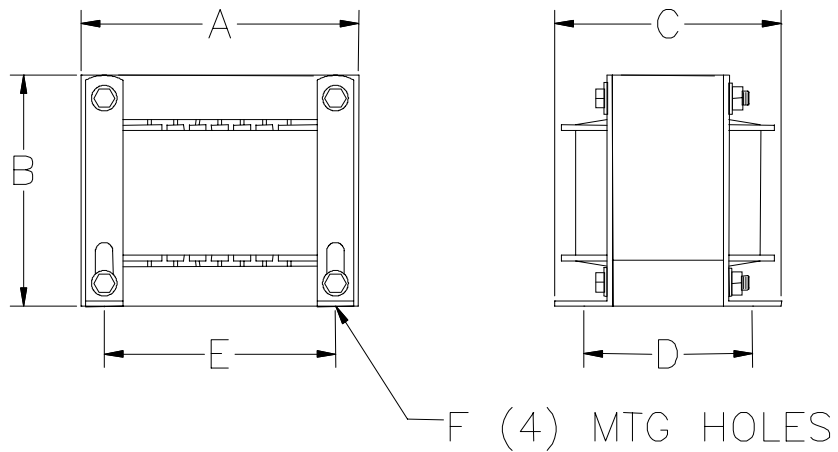


FIGURE 2

Dimensions DC Link Chokes

Cat. No.	Figure	A	B	C	D	E	F
1RB001	1	3	2.5	1.5	N/A	2.37	.187 DIA
1RB002	1	3	2.5	1.5	N/A	2.37	.187 DIA
1RB003	1	3.75	3.25	1.75	N/A	3.13	.187 DIA
2RB001	1	2.81	2.5	1.73	N/A	2.37	.187 DIA
2RB002	1	2.81	2.5	1.5	N/A	2.37	.187 DIA
2RB003	1	3	2.5	1.5	N/A	2.37	.187 DIA
2RB004	1	3.75	3.25	2	N/A	3.13	.187 DIA
4RB001	1	2.81	2.5	1.5	N/A	2.37	.187 DIA
4RB002	1	3.75	3.25	2	N/A	3.13	.187 DIA
4RB003	1	3.75	3.25	2	N/A	3.13	.187 DIA
4RB004	2	3.81	4.5	2.82	2	3.13	.203 X .328
7RB001	2	3.81	4.5	3	2.5	3.13	.203 X .328
9RB001	1	3.75	3.25	1.75	N/A	3.13	.187 DIA
9RB002	1	3.75	3.25	2	N/A	3.13	.187 DIA
9RB003	2	3.81	4.5	2.82	2	3.13	.203 X .328
9RB004	2	4.63	5.25	4	2.5	3.73	.203 X .328
12RB001	1	3.75	3.25	1.75	N/A	3.13	.187 DIA
12RB002	2	3.81	4.5	2.82	2	3.13	.203 X .328
12RB003	2	3.81	4.5	2.82	2	3.13	.203 X .328
12RB004	2	4.63	5.25	3.5	2	3.75	.203 X .328
18RB001	1	3.75	3.25	2	N/A	3.13	.187 DIA
18RB002	2	3.81	4.5	2.82	2	3.13	.203 X .328
18RB003	2	3.81	4.5	3.75	3	3.13	.203 X .328
18RB004	2	4.63	5.25	4	2.5	3.75	.203 X .328
18RB005	2	4.63	5.25	5.25	4	3.75	.203 X .328
25RB001	1	3.75	3.25	1.75	N/A	3.13	.187 DIA
25RB002	2	3.81	4.5	2.82	2	3.13	.203 X .328
25RB003	2	3.81	4.5	3.75	3	3.13	.203 X .328
25RB004	2	3.81	4.5	3	2.5	3.13	.203 X .328
25RB005	2	4.63	5.25	5.25	4	3.13	.203 X .328
32RB001	2	3.81	4.5	3.32	2.5	3.13	.203 X .328
32RB002	2	4.63	5.25	4.25	3	3.75	.203 X .328
32RB003	2	4.63	5.25	5.25	3	3.75	.203 X .328
40RB001	2	3.81	4.5	3	2.5	3.13	.203 X .328
40RB002	2	3.81	4.5	3.75	3	3.13	.203 X .328
40RB003	2	4.63	5.25	4	2.5	3.75	.203 X .328
40RB004	2	6.5	6.55	6	3.38	5.31	.28 X .52
50RB001	2	4.63	5.25	4	2.5	3.75	.203 X .328
50RB002	2	4.63	5.25	5.25	4	3.75	.203 X .328
50RB003	2	4.63	5.25	5.25	4	3.75	.203 X .328
50RB004	2	6.5	5.5	6	3.38	5.31	.28 X .52
62RB001	2	4.63	4	5	2.5	3.75	.203 X .328
62RB002	2	4.63	4	7.25	4	3.75	.203 X .328
62RB003	2						
62RB004	2	6.5	5.5	6	3.38	5.31	.28 X .52
62RB005	2	7.5	6.5	6	3.63	6.75	.281 X .562

Dimensions DC Link Chokes

Cat. No.	Figure	A	B	C	D	E	F
80RB001	2	4.63	4	6	3	3.75	.203 X .328
80RB002	2	4.63	4	6.5	4	3.75	.203 X .328
80RB003	2	4.63	4	7	4	3.75	.203 X .328
80RB004	2	6.5	5.5	7	3.38	5.31	.281 X .562
80RB005	2						
92RB001	2	4.63	4	6	3	3.75	.203 X .328
92RB002	2	6.5	5.5	6.75	3.75	5.31	.281 X .562
92RB003	2	6.5	5.5	7	4.63	5.31	.281 X .562
110RB001	2	4.63	4	7	3.88	3.75	.281 X .562
110RB002	2	6.5	5.5	6	3	5.31	.281 X .562
110RB003	2	6.5	5.5	6.63	3.63	5.31	.281 X .562
125RB001	2	4.63	4.25	6.25	3	3.75	.203 X .328
125RB002	2	6.5	5.5	6.5	3.31	5.31	.281 X .562
125RB003	2	7.5	6.28	6	3.64	6.75	.281 X .562
125RB004	2	7.5	6.28	8	5.15	6.75	.281 X .562
150RB001	2	6.5	5.5	7.5	2.875	5.31	.281 X .562
150RB002	2	6.5	5.5	7.5	3.38	5.31	.281 X .562
150RB003	2						
150RB004	2						
200RB001	2	6.5	5.5	7.5	3.31	5.31	.281 X .562
200RB002	2	7.5	6.5	9	3.63	6.75	.281 X .562
200RB003	2	7.5	6.38	12	6.13	6.75	.281 X .562
200RB004	2						
240RB001	2	6.5	5.5	8	3.38	5.31	.281 X .562
240RB002	2	9	7.88	12	6.75	7.5	.406 X .781
240RB003	2	12	11	11	5.5	10	.375 X .75
300RB001	2	7.5	6.5	8.5	3.38	6.75	.281 X .562
300RB002	2	9	8	12	6.25	7.5	.406 X .781
300RB003	2	12	10	10.5	7	10.5	.406 X .781
450RB001	2	9	8.13	13	6.25	7.5	.406 X .781
450RB002	2						
450RB003	2	12	11	12.25	7.25	10.5	.406 X .781
500RB001	2						
500RB002	2						
500RB003	2						
600RB001	2	7.5	6.25	12.14	5.38	6.75	.281 X .562
600RB002	2	12	10.5	12	5.75	10.5	.406 X .781
600RB003	2						
700RB001	2						
700RB002	2						
700RB003	2						
850RB001	2						
850RB002	2						
850RB003	2						
1000RB001	2	12	10.5	12	4.75	10.5	.406 X .781
1000RB002	2	12	12	14	5.75	10.5	.406 X .781
1000RB003	2						